

Mounting Instructions

VESA Interface – Fixed & Tilt



FSB100-F



FSB100-T



FSB200-F



FSB200-T

For Customer Services please email
support@TVbracketsDirect.co.uk



Safety tested in UK
VESA mounting compatible

Designed and manufactured in the UK by
TV Brackets Direct, 48 Elliot Road, Cirencester, GL7 1YS
www.TVbracketsDirect.co.uk

Warranty

Congratulations on the purchase of your TV Brackets Direct wall mount. Your wall mount has been designed and manufactured to be fit for the purpose it is intended, using durable materials. That is why TV Brackets Direct gives you the purchaser a lifetime warranty for defects in manufacturing and materials.

Terms and Conditions

During the warranty period faults arising due to defects in manufacturing or materials will be remedied by TV Brackets Direct. We reserve the right to replace or repair faulty product at our discretion. Where your product has been discontinued, TV Brackets Direct reserves the right to replace with similar type and cost of product.

If this warranty is invoked, please send your product to TV Brackets Direct with evidence that you are the original purchaser.

TV Brackets Direct warranty shall lapse if:

- The product has not been assembled and installed in accordance with these instructions
- The product has been modified in any way or repaired by someone or party other than TV Brackets Direct
- The fault arises from abuse, misuse, negligence, accident or an external factor such as poor fixing conditions (brick or wood substrate is not stable or solid), lightning, water, fire, exposure to extreme temperatures, weather conditions, solvents or acids, or causes beyond TV Brackets Direct reasonable control

TV Brackets Direct excludes and will not pay any incidental and consequential damages.

IMPORTANT – Please read the following before commencing installation

Please review all instructions before commencing installation. If in doubt consult a qualified contractor.

This product is intended for use with flat panel displays which have threaded fixing holes for the purpose of wall mounting. It is the installer's responsibility to identify the correct holes. If in doubt consult the TV manufacturer.

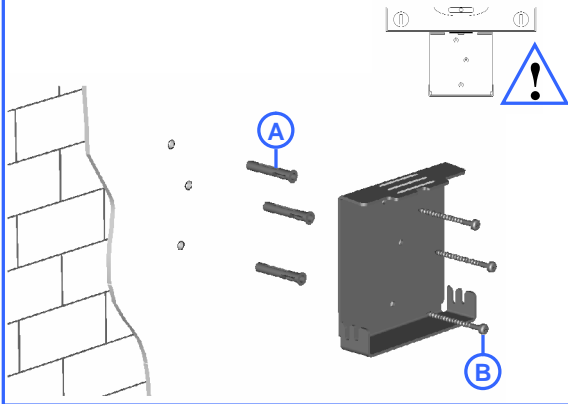
TV Brackets Direct do not accept any liability for any damage caused by use of incorrect fixing holes and/or fixing screws. If your TV mounting holes are recessed spacers must be used.

The wall fixings included are for wood, brick or solid masonry. When fixing into wood studs ensure that each hole is predrilled and central in the stud. When fixing into brick or masonry follow the instructions to correctly prepare each hole. Avoid mortar joints and do not over tighten screws with excessive force. If fixing to dry lined walls, a solid fix back to brick or masonry should be made. Always use Dry Liner Kit from TV Brackets Direct. If in doubt consult a qualified contractor.

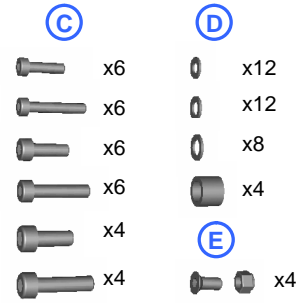
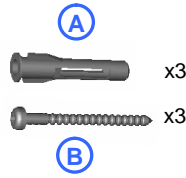
Before installing the TV on the wall plate, check the strength of the installation. During use, periodically check the strength of the installation.

Not following these instructions could lead to failure and could be dangerous.

1A Fixing the Wall Plate to **stone or brick**

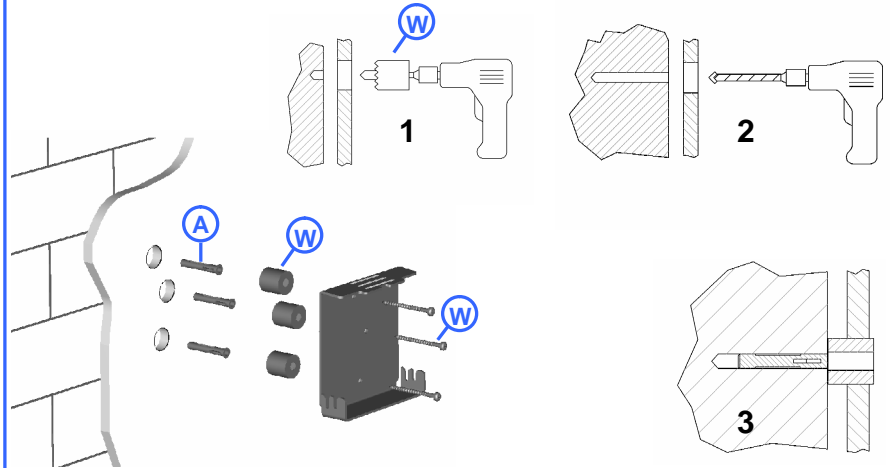


Fixings included

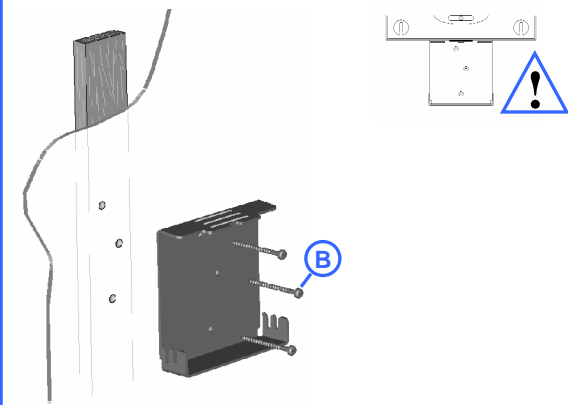


1C Fixing the Wall Plate to **dry lined walls**

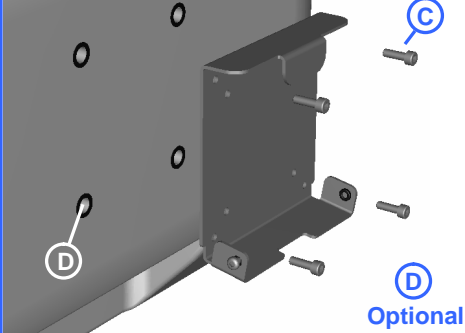
1. Use FSB-DRYLINE-KIT – available from TVBracketsDirect.co.uk **W**
2. Ensure there are no electric cables behind liner before drilling
3. Spacers keep Wall Plate slightly proud of liner to prevent crushing dry lining



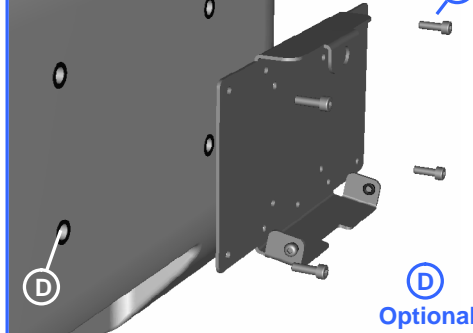
1B Fixing the Wall Plate to **stud partitions**



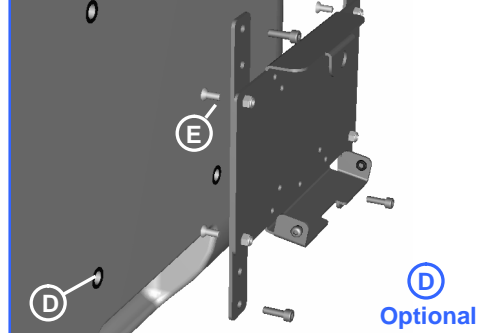
2A FSB100
VESA 100x100



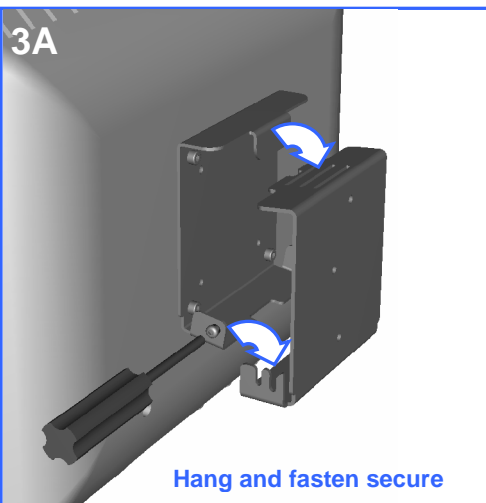
2B FSB200
VESA 200x100



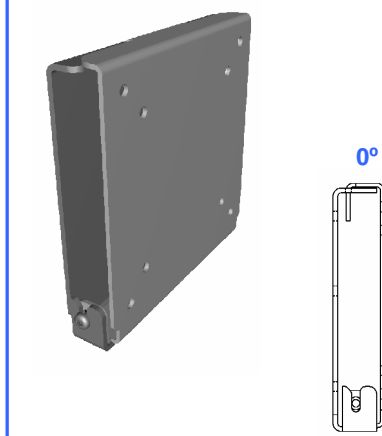
2B FSB200 + strips (in back of box)
VESA 200x200



3A



Fixed



Tilt

